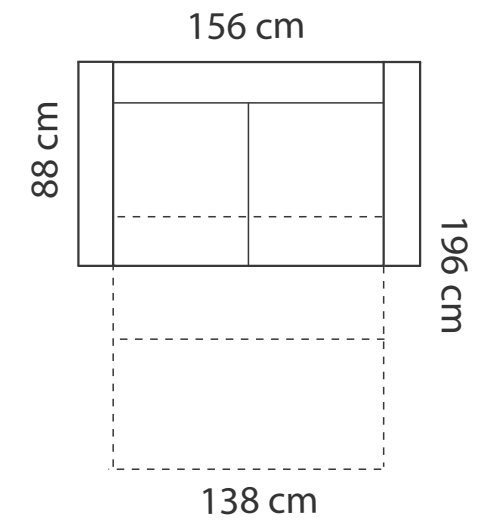


# TORRES

PADDING: Polyurethane Foam E30  
FRAME: Birch plywood & pine

## COMBINATIONS

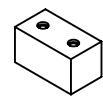
TORRES 2BS



### ADDITIONAL INFORMATION

Height: 84 cm  
Sitting height: 53 cm  
Dec. pillows: 0 pcs

### LEGS



L16  
h: 3cm

### LEG COLORS



01 Natural



STANDARD

03 Dark Brown



04 Black



05 Oiled Oak (extra price)

